

REV	APP
1	1
2	2
3	3
4	4

C1 WAS .47  
 C16 WAS .01  
 C17 WAS .01  
 R16 WAS 10K

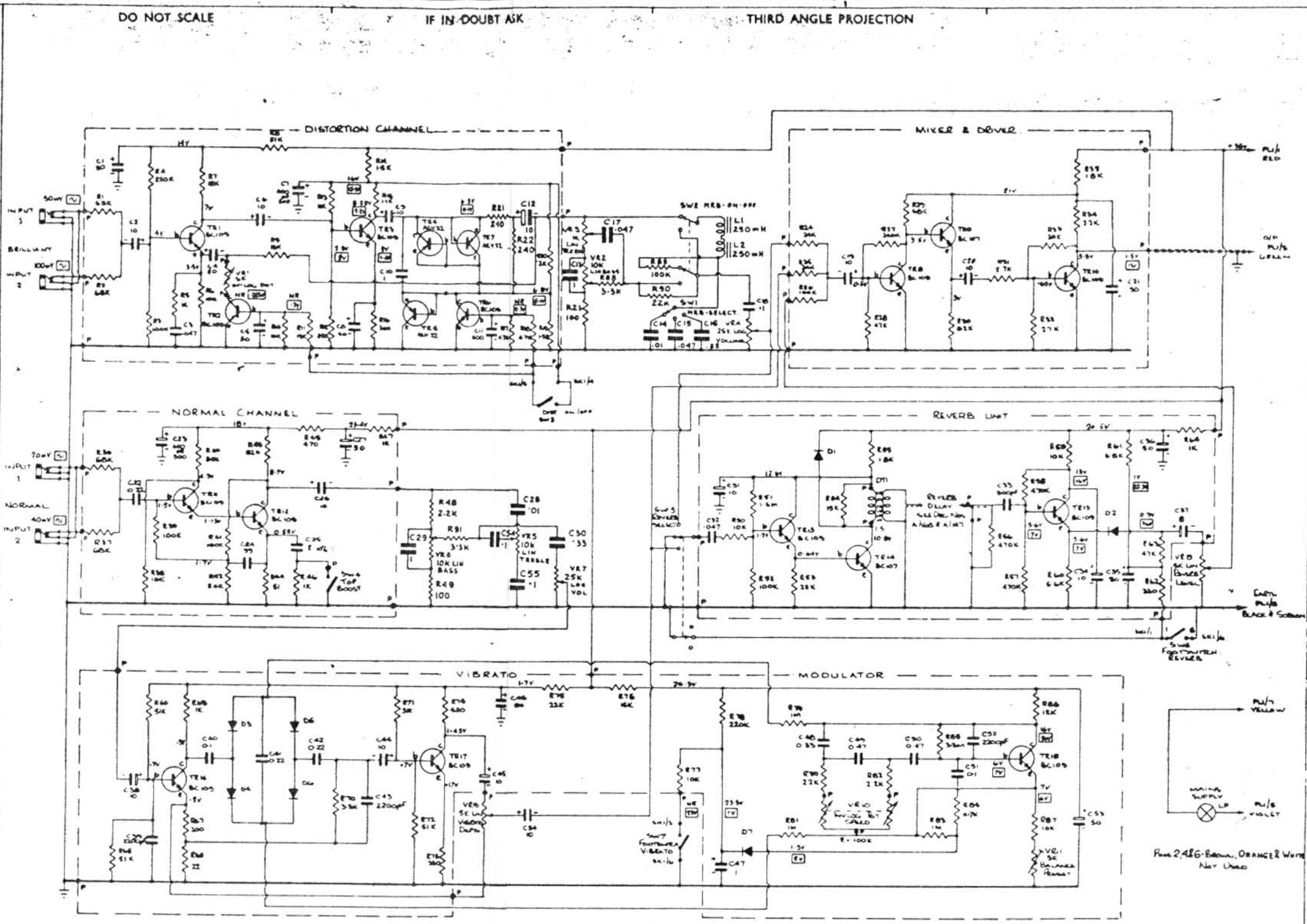
NOTES:

HIGHEST R NO: 91  
 HIGHEST C NO: 55

COMMENCING WITH R88 AND C54 RESISTORS  
 & CAPACITORS ARE NOT GROUPED TOGETHER.

Vox MkIII Preamp for  
 Conqueror  
 Defiant  
 Supreme

VOLUME = DISTORTION-REVERB-VIBRATO ON  
 OTHER VOLTAGE READINGS = NO SIGNAL CONDITIONS  
 NR = NOT READABLE  
 V = SIGNAL VOLTAGE FOR FULL OUTPUT OF  
 AMPLIFIERS. ALL CONTROLS @ MAX. HRS & T'S OFF  
 TEST FREQUENCY 1KC/S  
 ALL DC READINGS TAKEN ON AV08  
 VARIATIONS IN VOLTAGE READINGS DUE TO  
 TRANSISTOR SPREAD WILL BE FOUND  
 ALL VOLTAGE READINGS WITH RESPECT TO EARTH



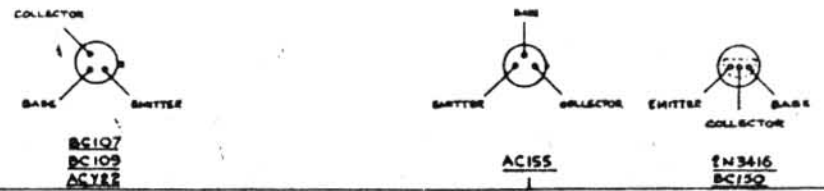
FOR VERTUOSO POWER STAGE SEE DES. NO. 05/132

CONQUEROR	05/132
DEFIANT	05/134
SUPREME	05/135

ALL DIODE TYPES HS1010 OR DA8200 OR BA15  
 P DENOTES PIN CONNECTIONS ON IPC BOARD

TRANSISTOR TYPES AND ALTERNATIVES

BC122, BC107	OR	2N3418
BC169, BC164, BC109	OR	BC180
AC152	OR	AC158



Wired With 3-way F/low.



DRW	ENGR	THIS DRAWING SPECIFICATION DOCUMENT BELONGS TO VOX SOUND LTD. AND IS LOANED ON CONDITION THAT IT IS NOT COPIED, REPRODUCED OR DISCLOSED TO A THIRD PARTY WITHOUT THE CONSENT IN WRITING OF VOX SOUND LTD.	
APPROVED	PH	SCALE	1:1 OR 1/2 UNLESS OTHERWISE STATED
TITLE:-		ORC. No	05/184
VOX SOUND LTD., ERITH, KENT, ENGLAND			