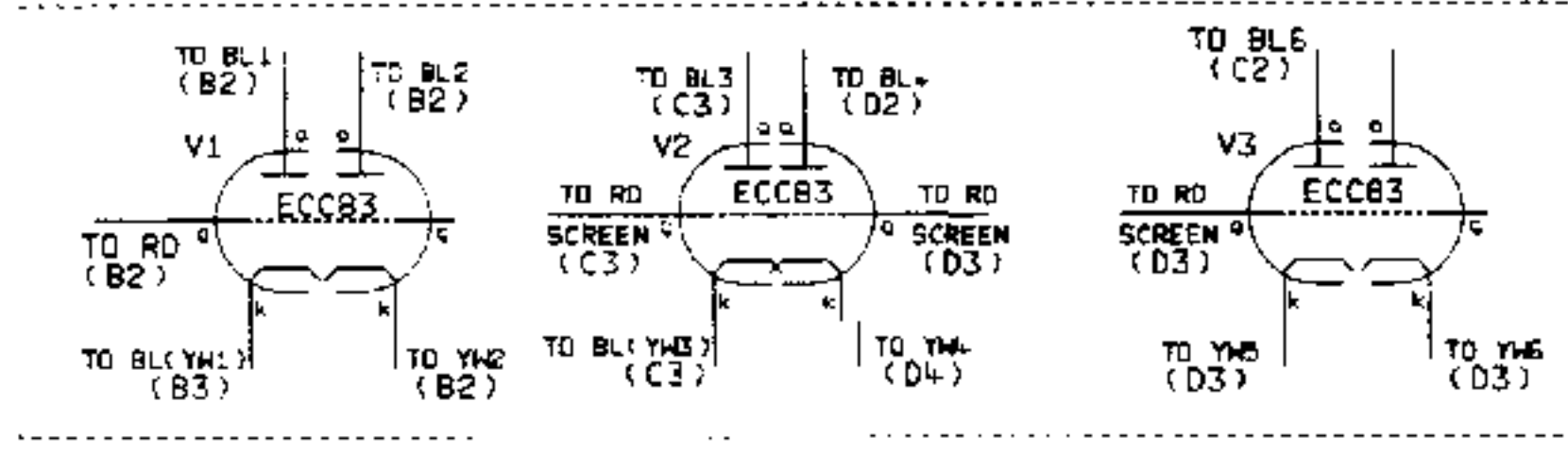
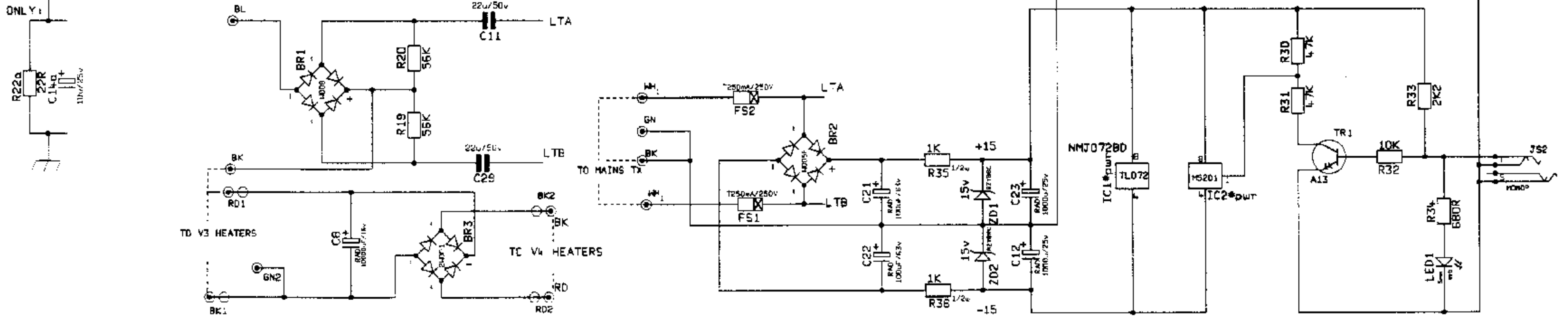


FOR 2500SLX ONLY:



NOTE
 ALL RESISTORS ARE 1/4W UNLESS OTHERWISE SPECIFIED
 DOTTED LINES DENOTE WIRES OF THE P.C.B.
 P1(D4) = TO PAGE 1 GRID LOCATION REF D4

UNSPECIFIED HOLE DATA			MATERIAL		DIMENSIONS IN		TITLE		
ISS	ECD NUMBER	DATE	MATERIAL THICKNESS	DATE	TOLERANCE (UNLESS OTHERWISE STATED)	Marshall		PRE AMP CCT	
5	0459	23/02/94	INTERNAL BEND RADIUS	05/05/93	DIMENSIONAL	© MARSHALL APPLICATION PLC. DENBIGH ROAD, BLETCHLEY, MILTON KEYNES, MK: 10G. TEL (0908)375411 FAX (0908)376118		A2	
4	0461	10/1/94	EXTERNAL S/A		CENTRES			A2	
3	0428	09/11/93	BEND DIE		ANGULAR			DWG.No. SLXa-61-02	
2	0374	29/06/93	DRAWN T.FOY		MODEL			ISSUE	
1	MANUFACTURE RELEASE	05/05/93	CHECKED		2100SLX/2500SLX			5	
			APPROVED						