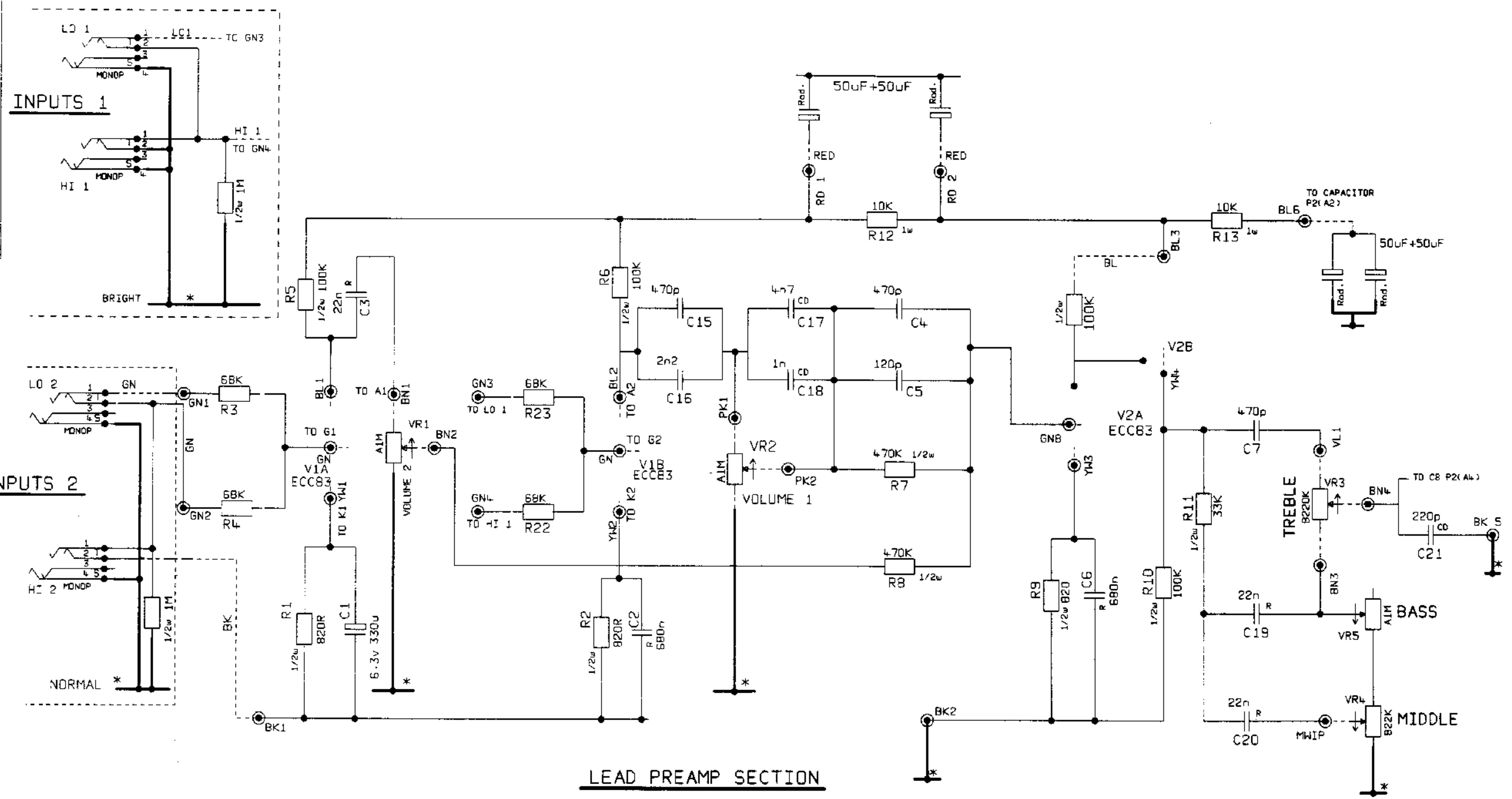


DWG. No. 59X-60-02



LEAD PREAMP SECTION

NOTES

DASHED LINES DENOTE WIRES OFF FROM THE PCB.
P2 (A5) * PAGE NO & GRID REF.
GND'S MARKED * ARE POT BUS GND.

7	0603	18/4/94	
6	0515	24/1/94	A
5	0394	06/8/93	B
4	0348	13/5/93	C
3	0335	19/4/93	D
2	0299	5-2-93	E
1	MANUFACTURE RELEASE		F
ISS	ECO NUMBER	DATE	G

UNSPECIFIED HOLE DATA		

MATERIAL	
MATERIAL THICKNESS	
INTERNAL BEND RADIUS	
EXTERNAL B/A	
BEND DIE	
DRAWN T.FOY	DATE 27/08/92
CHECKED	DATE
APPROVED	DATE

DIMENSIONS IN	
TOLERANCE (UNLESS OTHERWISE STATED):	
DIMENSIONAL	
CENTRES	
ANGULAR	
MODEL	1959SLP

Marshall

COPYRIGHT EXISTS ON THIS DOCUMENT. IT MUST NOT BE USED FOR ANY PURPOSE THAN THAT FOR WHICH IT IS SUPPLIED AND MUST NOT BE REPRODUCED OR IN PART WITHOUT WRITTEN PERMISSION FROM
© MARSHALL AMPLIFICATION PLC
DENBIGH ROAD, BLETCHLEY, MILTON KEYNES, MK1 1QJ.
TEL (0908)375411 FAX (0908)375118

TITLE	
CCT DIAGRAM	
1 OF 2	A3
DWG. No	ISSUE
59X-60-02	7