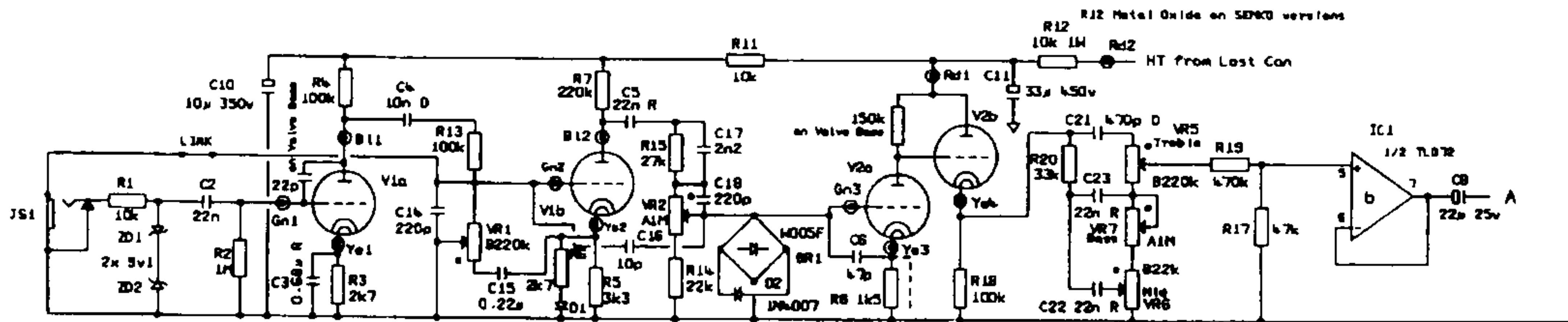


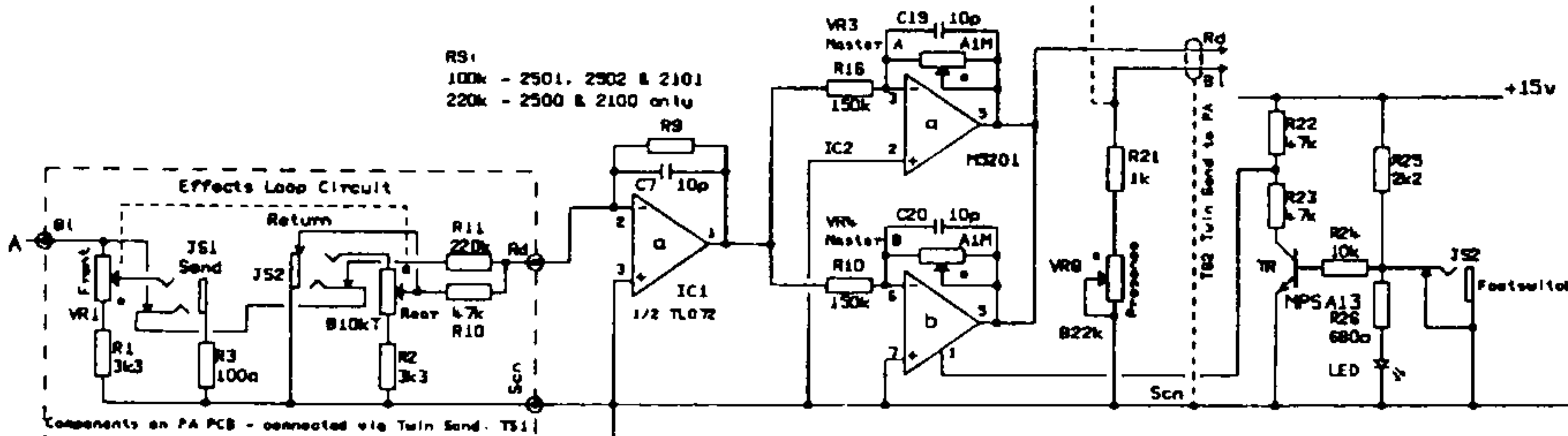
Models: 2500, 2501, 2502, 2100 & 2101



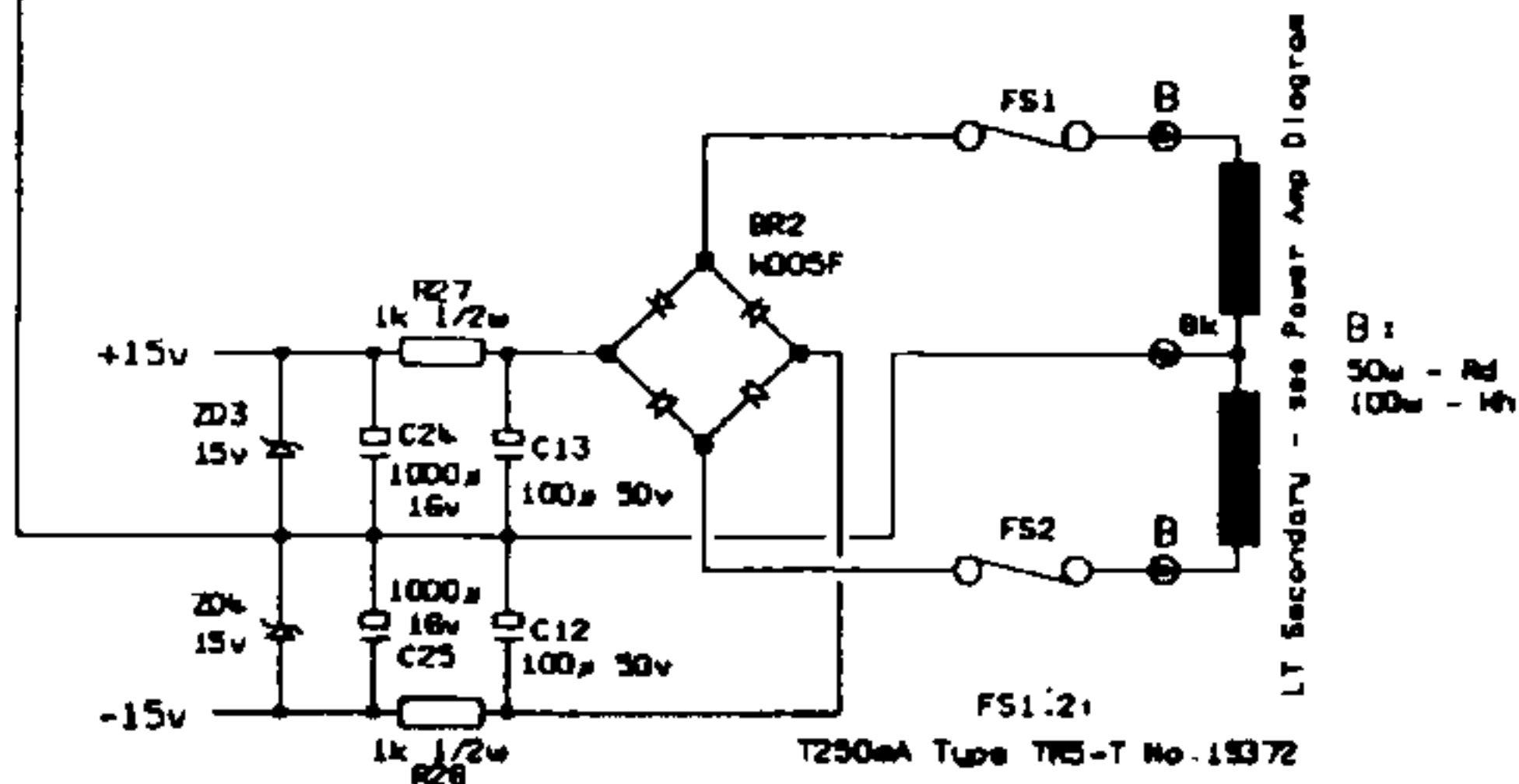
VR1 Gain 0-20  
VR2 Gain 10-20

C9 Presence cap  
(For Preamp Version only)  
0.22µ

RS1  
100k - 2501, 2502 & 2101  
220k - 2500 & 2100 only



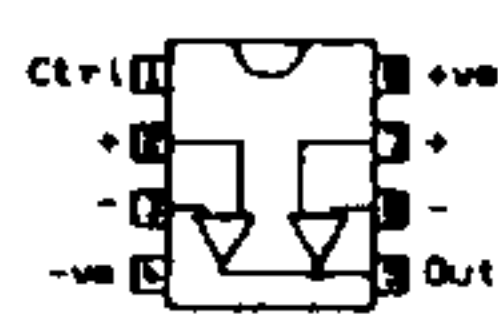
Components on PA PCB - connected via Twin Smd. TS1



LT Secondary - see Power Amp Diagram

B1:  
50µ - Rd  
100µ - 1k

NOTES:

- All resistors 1/w unless stated.
- PCB: JMF518 ONWARDS
- Power supply and power amp diagram: C00112 50w  
C00192 100w
- All non-elect. caps are 50v axial unless marked:  
D: Ceramic disk  
R: MKT Radial
- All zeners 500mW.
- C1,5,7,2k not fitted.  
C11 only fitted on rack or mono versions.
- V1,2: ECC83.
- MS201 switching IC pins:  

- on pots indicates clockwise.

9	18-9-98	SKB
8	2-7-90	CPV
7	29-1-90	CPV
Iss.	Date	Drn.
Dwg. Number: C00109		
JCM900 Series MASTER VOLUME Preamp Circuit Diagram ALL COUNTRIES		
<b>Marshall</b>		
Jim Marshall (Products) Ltd. BLETCHLEY MILTON KEYNES ENGLAND		
File: C00109.DGM		