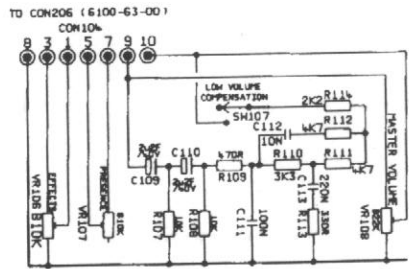
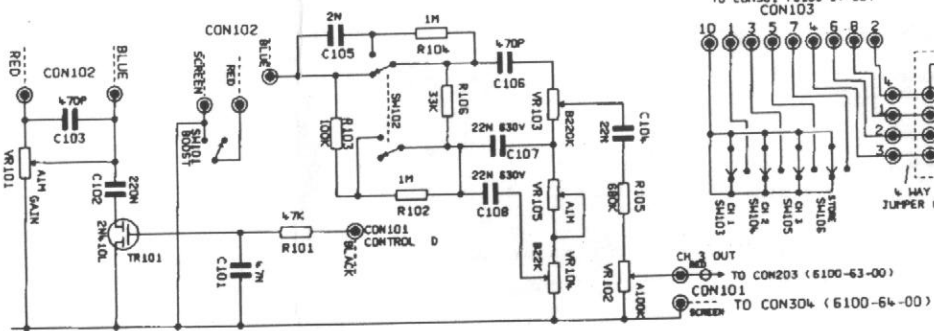
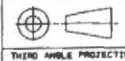


DWG. No. 6100-62-04



C101-NDT FITTED

UNSPECIFIED HOLE DATA

A	H
B	T
C	K
D	L
E	M
F	N
G	P

INTERNAL	EXTERNAL
INTERNAL DIMENSIONS	TOLERANCES (UNLESS OTHERWISE STATED)
INTERNAL HOLE DIA	DIMENSIONS
EXTERNAL DIA	EXTERNAL DIMENSIONS
DRILL SIZE	FINISH
DRILL T.F.	DATE 15/05/92
CHECKED	SIGNATURE
APPROVED	SIGNATURE

6100/6101

Marshall

COMPONENTS SHOWN ON THIS DRAWING TO BE USED ONLY IF THEY ARE THE SAME TYPE AND MAKE AS SHOWN ON THIS DRAWING. IF ANY DIFFERENCES ARE NOTED, THE USER MUST BE ADVISED BY THE SUPPLIER. THE USER MUST BE ADVISED BY THE SUPPLIER OF ANY CHANGES TO THE PARTS LISTED ON THIS DRAWING.

TITLE	
LEAD/MASTER CCT	
ECO No	ISSUE
6100-62-04	1