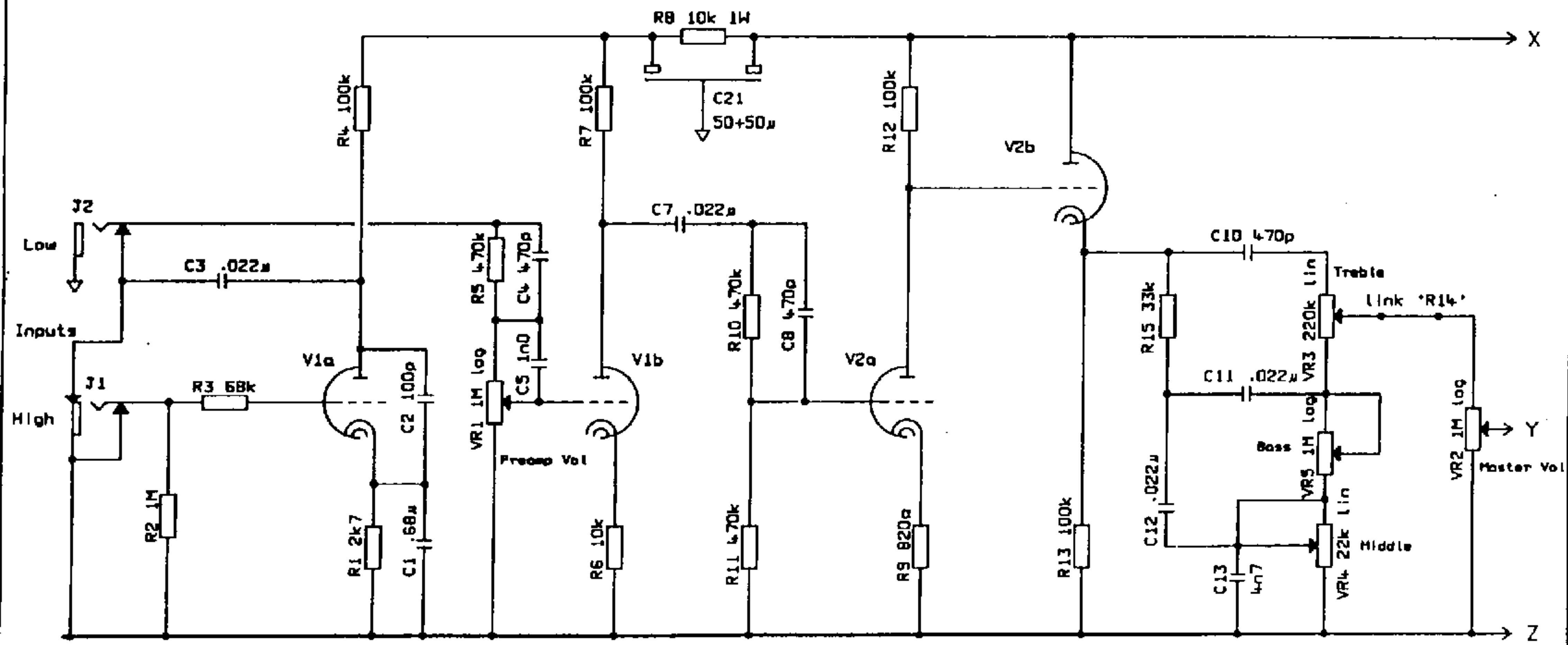


NOTES

PCB: JM80

V1.2: ECC83. filament supply shown on power stage diagram.



4	19-5-88	CPV
ISS. DATE		DRN.

DRAWING NUMBER  
**4010** STD  
 Preamp

**MARSHALL**  
 JIM MARSHALL  
 PRODUCTS LTD.  
 BLETCHLEY  
 MILTON KEYNES  
 ENGLAND  
 File: 401OPRE.DGM

