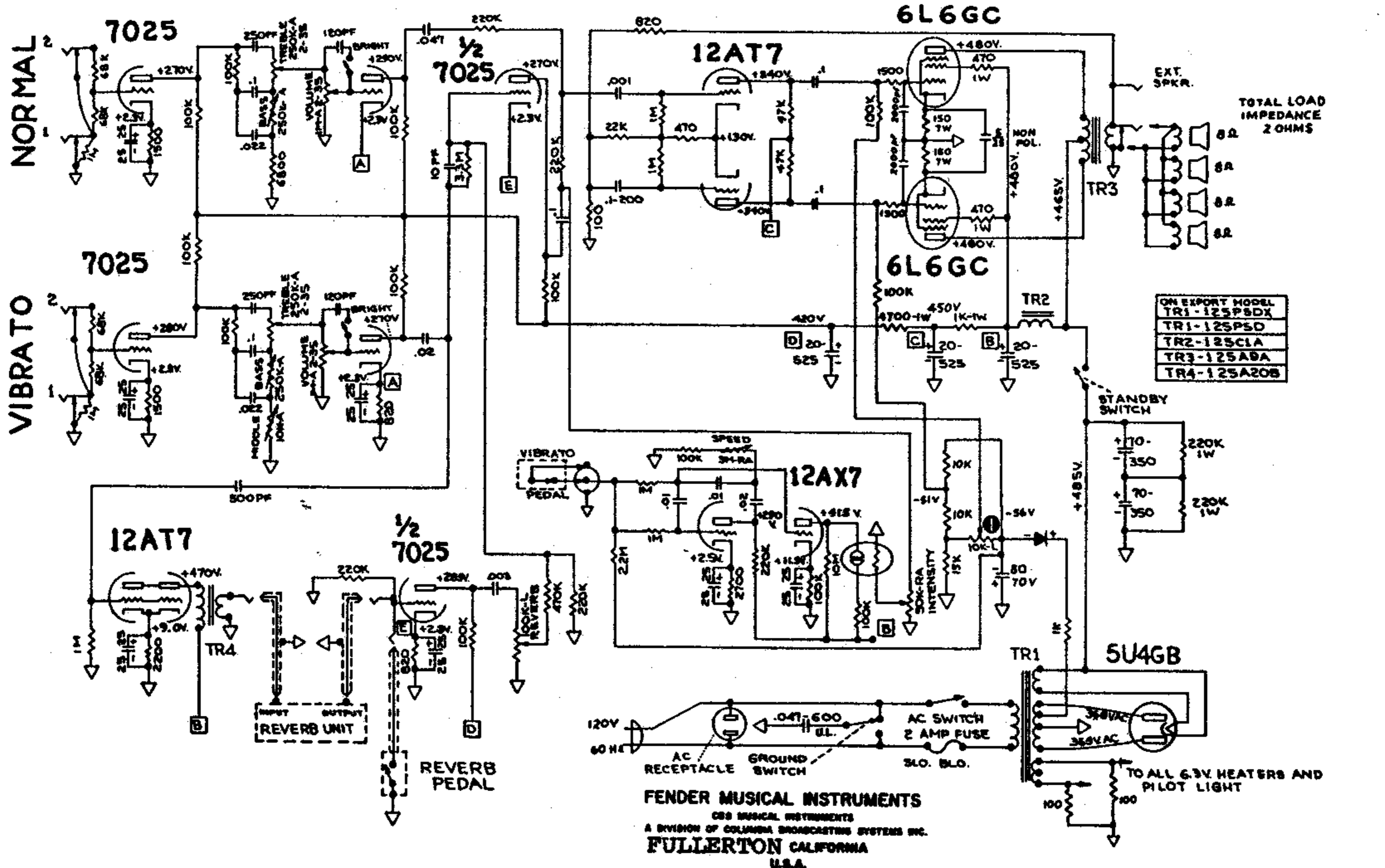


FENDER "SUPER-REVERB-AMP 568" SCHEMATIC NOTICE

THIS PRODUCT MANUFACTURED UNDER ONE OR MORE OF THE FOLLOWING U.S. PATENTS-
CIRCUIT PATENT #2817708, #2973481
DESIGN PATENT #192859
PATENTS PENDING

- 1- VOLTAGES READ TO GROUND WITH ELECTRONIC VOLTMETER VALUES SHOWN \pm OR - 20%
- 2- ALL RESISTORS $\frac{1}{2}$ WATT 10% TOLERANCE IF NOT SPECIFIED.
- 3- ALL CAPACITORS AT LEAST 400 VOLT RATING IF NOT SPECIFIED.
- 4- ALL VOLTAGES READ WITH VIBRATO PEDAL GROUNDING AND NO INPUT SIGNAL



FENDER MUSICAL INSTRUMENTS
CBS MUSICAL INSTRUMENTS
A DIVISION OF COLUMBIA BROADCASTING SYSTEMS INC.
FULLERTON CALIFORNIA
U.S.A.

DWG. TITLE			
SCHEMATIC & WIRING DIAGRAM			
SUPER REVERB-AMP			
R/S.	REV.	DWG. NO.	REV.
480	D	047746	C
SCALE NONE	MODEL	PIPE TYPE	SHEET 1 OF 2