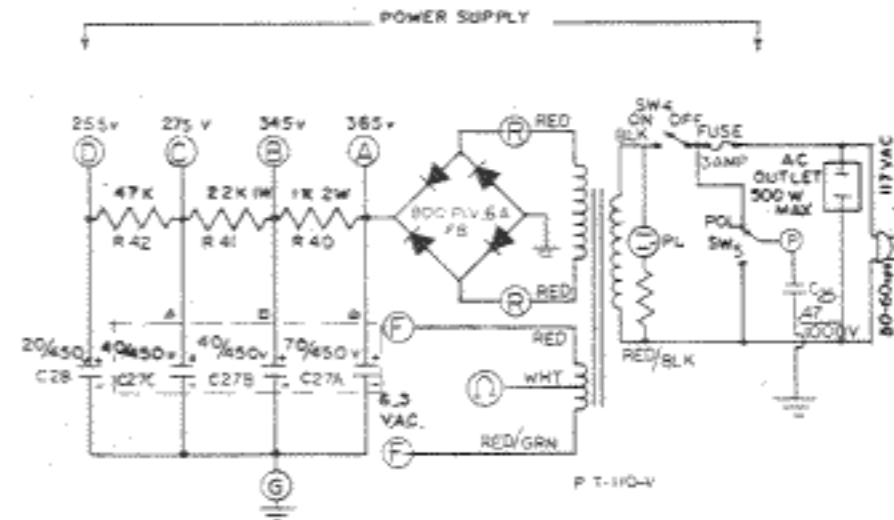
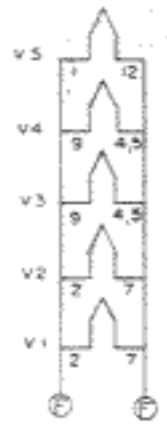
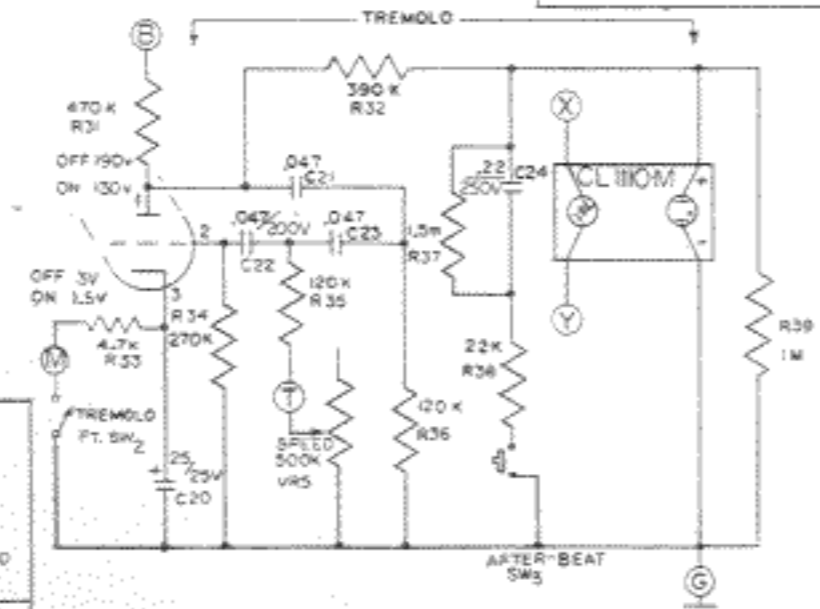



NOTE. D.C. VOLTAGE READINGS WITH NO SIGNAL INSERTED
 VOLTAGE READING WITH 20000 Ω/VOLT METER
 THIS CIRCUIT PROTECTED BY ONE OR MORE
 U.S. PATENTS PENDING.
 ALL CAPACITORS IN M.F.C. & 400V UNLESS OTHERWISE STATED.
 ALL RESISTORS 1/2 W. ΩX UNLESS OTHERWISE STATED



POST OFFICE BOX 215
 AREA CODE 1813 615 8700

 UNDER NEW JERSEY
 07000

MODEL GS-12-R
 ROCKET II
 U.S. PATENT 3366257
 TUBE LOCATION
 7591 7591 12AX7 12AX7 6U10

ORG. NO. 03700 OWN. CH.# 0147 548