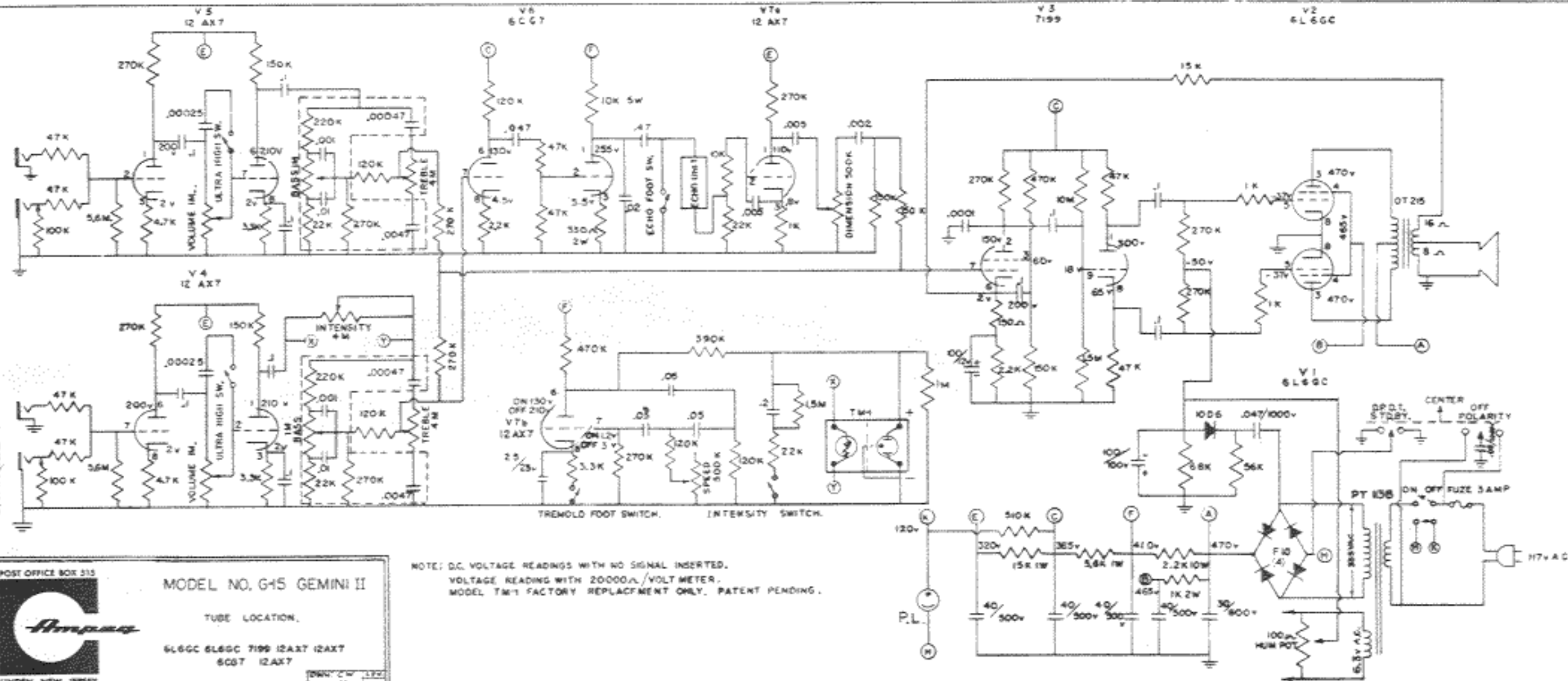


CHANNEL 2

CHANNEL 1


 AREA CODE (201) 933-1000
 LINDEN, NEW JERSEY


MODEL NO. G-45 GEMINI II

TUBE LOCATION.

 6L6GC 6L6GC 7199 12AX7 12AX7
 6007 12AX7

 DRAWN BY: LPT
 DATE: 4/66

 NOTE: D.C. VOLTAGE READINGS WITH NO SIGNAL INSERTED.
 VOLTAGE READING WITH 20000Ω/VOLT METER.
 MODEL TM-1 FACTORY REPLACEMENT ONLY. PATENT PENDING.

4-010050