

V5
12 AX7

V6
6 CG7

V7
1/2 12 AX7

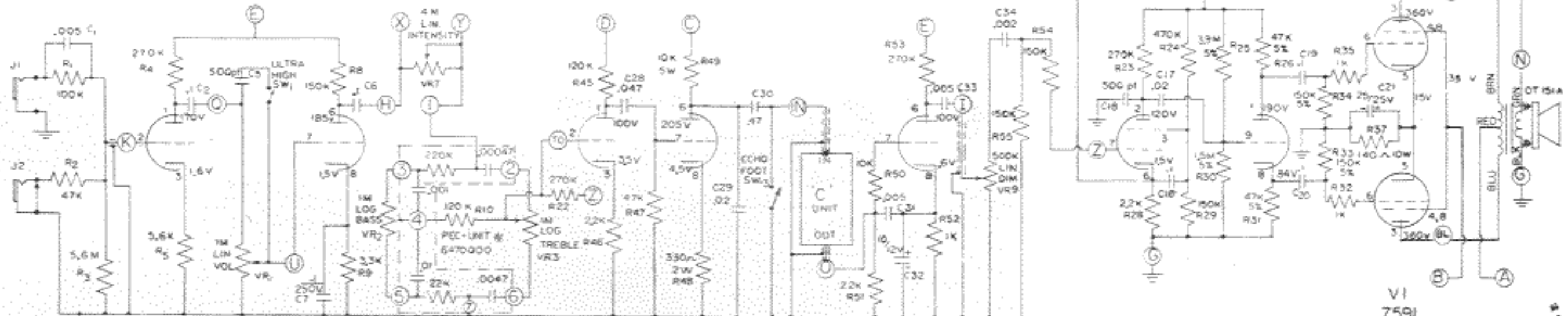
V3
7199

V2
7591

V1
7591

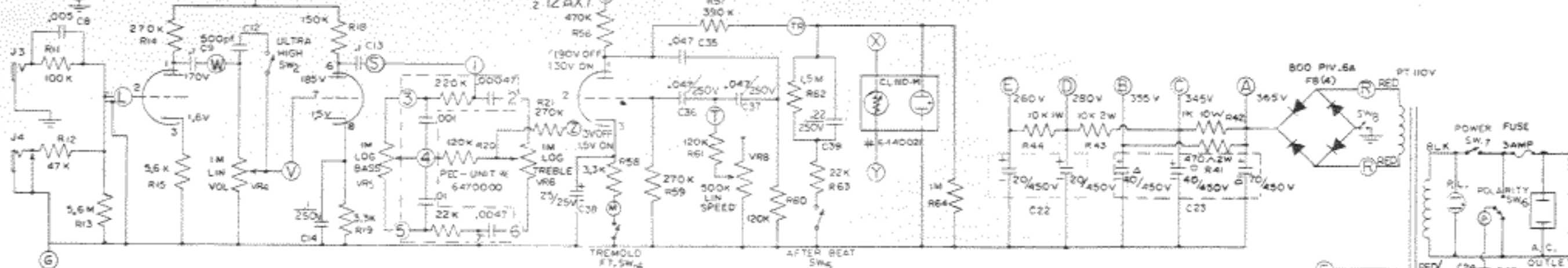
BRIGHT
CHANNEL 1
NORMAL

BRIGHT
CHANNEL 2
NORMAL

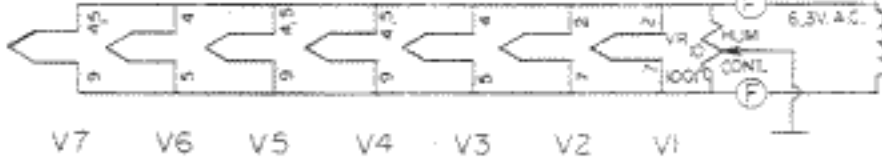


V4 12AX7

V7 1/2 12AX7



NOTE
DC VOLTAGE READINGS WITH NO SIGNAL INSERTED
VOLTAGE READING WITH 20 000 Ω/VOLT METER
ALL CAPACITORS IN μFD & 400V UNLESS OTHERWISE STATED
ALL RESISTORS 1/2 W 10% UNLESS OTHERWISE STATED



MODEL G 12
U.S. PATENT 3388257
TUBE LOCATION
7591 7591 7199 12AX7 12AX7
6CG7 12AX7

DWN C.W.	568	DWG NO	43400	401615U
----------	-----	--------	-------	---------