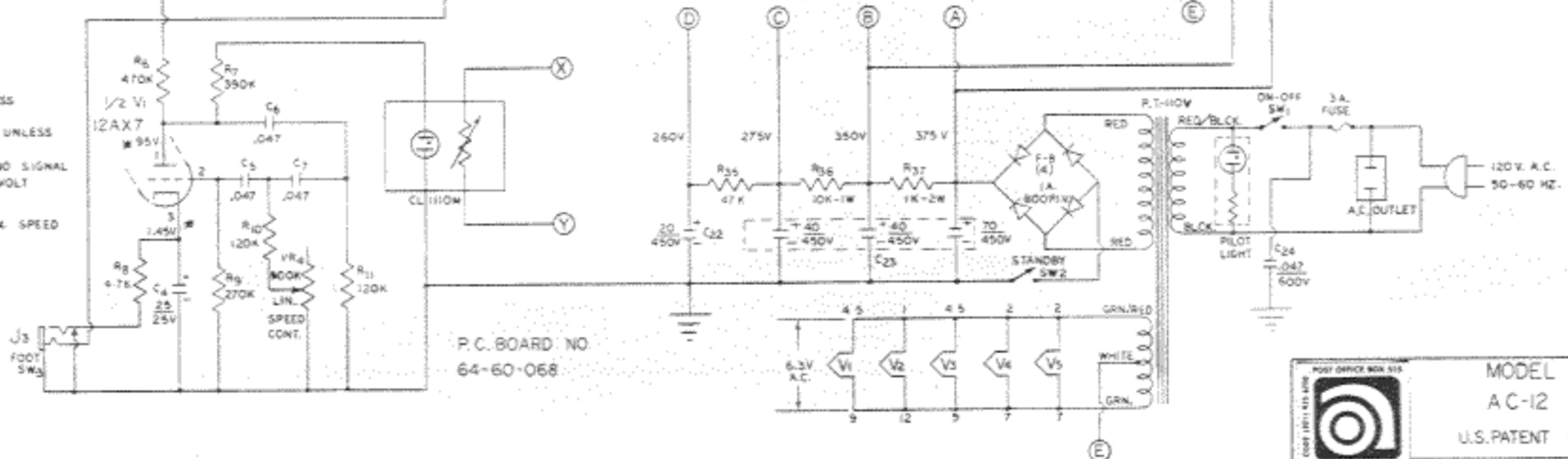


NOTES

- ALL CAPACITORS IN MFD & 400V D.C. UNLESS OTHERWISE STATED.
- ALL RESISTORS IN OHMS $\frac{1}{2}$ W $\pm 10\%$ UNLESS OTHERWISE STATED.
- ALL VOLTAGE READINGS ARE D.C. WITH NO SIGNAL INSERTED USING A 20,000 OHMS PER VOLT VOLTMETER.
- THESE VOLTAGE READINGS TAKEN AT MAX. SPEED



P.C. BOARD NO
64-60-068



MODEL
AC-12
U.S. PATENT PEND.

OWN BY	DATE	PART NO	DWG NO	REV
S.C.	1068	4010237	06000	